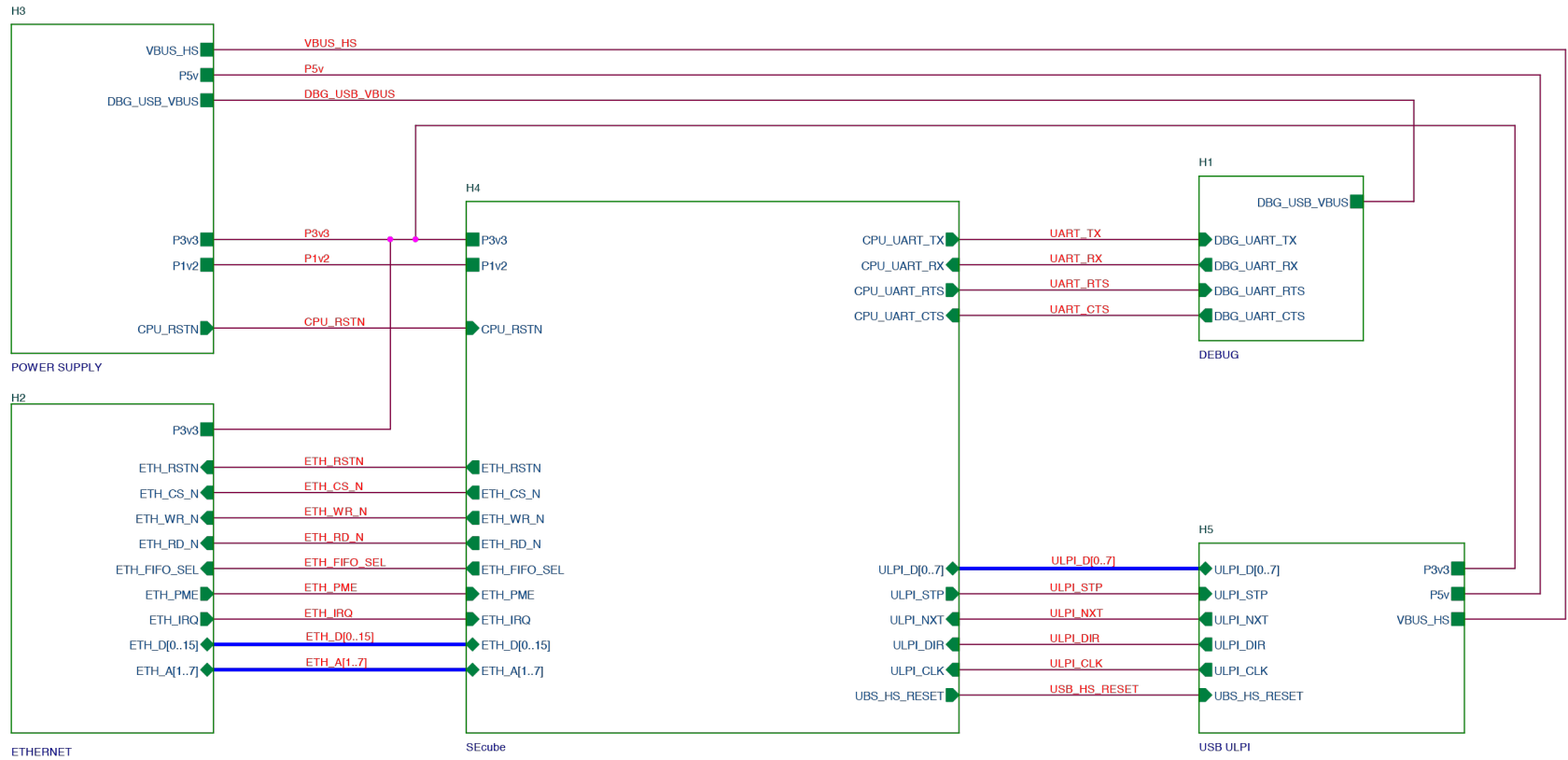


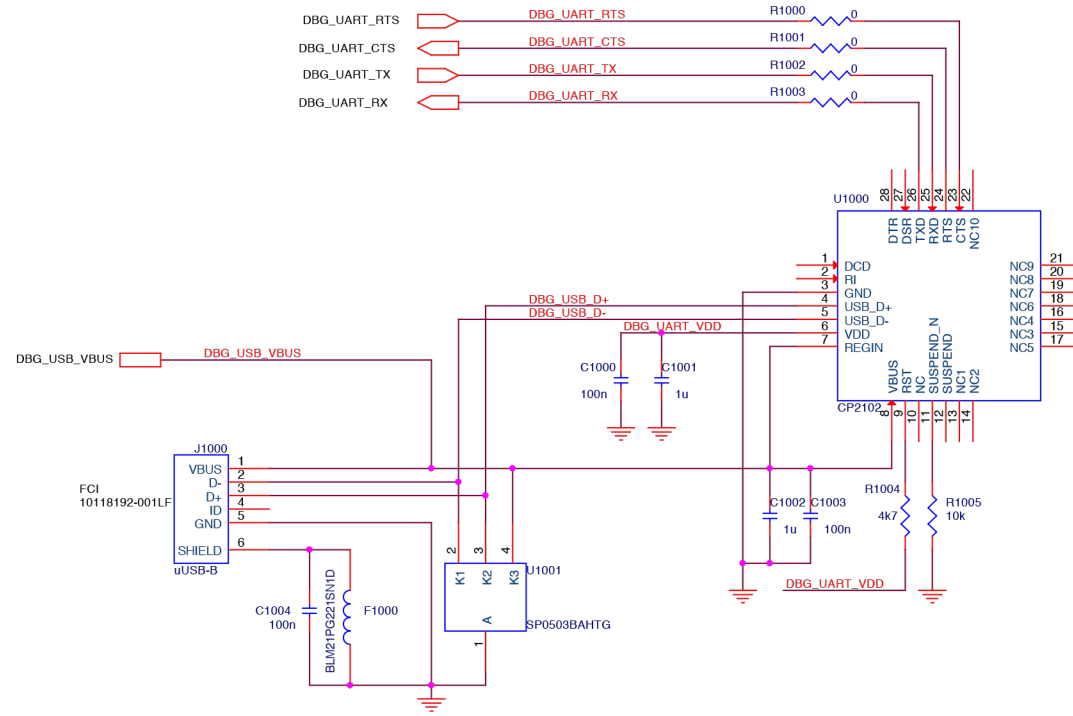


SEcube™ Development Kit





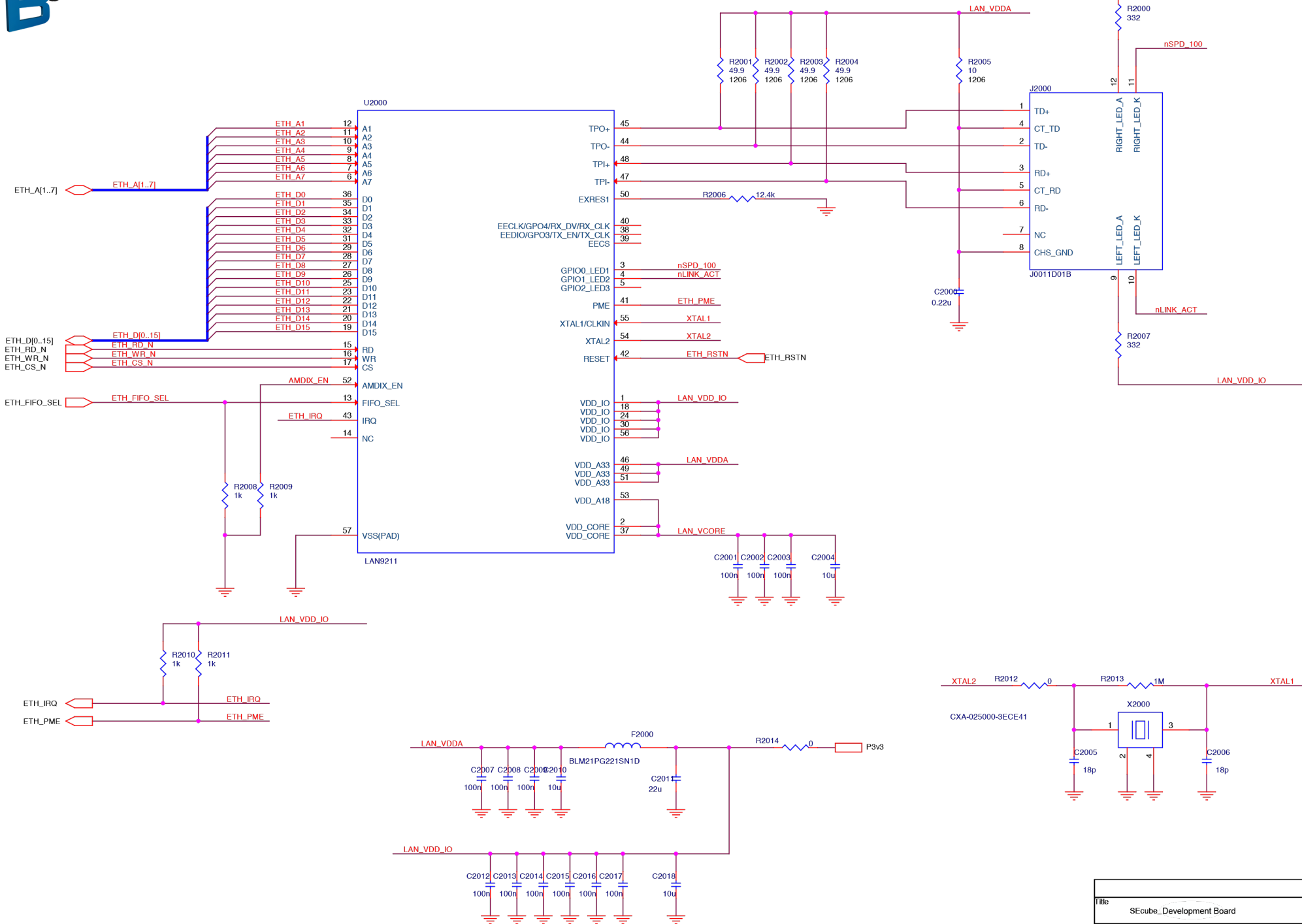
DEBUG PORT: RS232 to USB



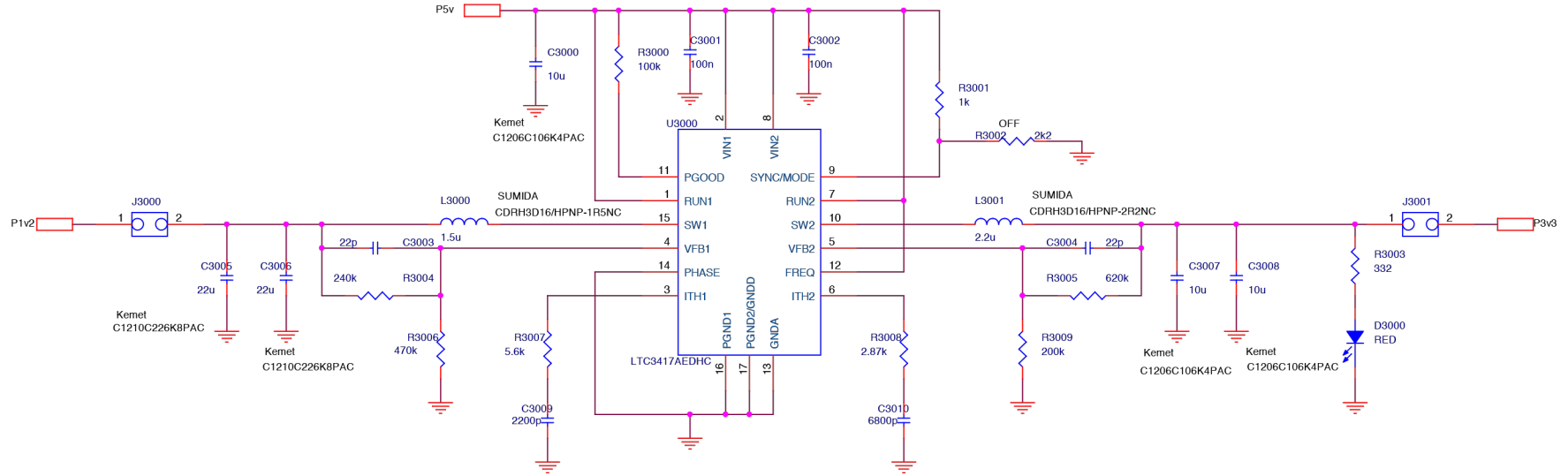
Title		SEcube_Development Board	
Size	Document Number	Rev	
A3	SEcube_DevBoard 1.0	0.1	
Date:	Thursday, December 10, 2015	Sheet	2 of 8



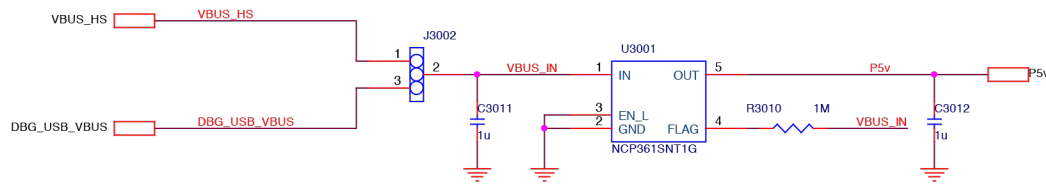
ETHERNET INTERFACE SMSC LAN9211



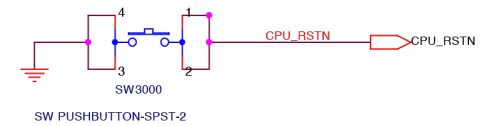
Title		
SEcube_Development Board		
Size	Document Number	Rev
A3	SEcube_DevBoard 1.0	0.1
Date:	Thursday, December 10, 2015	Sheet 3 of 8



OVER VOLTAGE PROTECTION & SUPPLY SELECTION



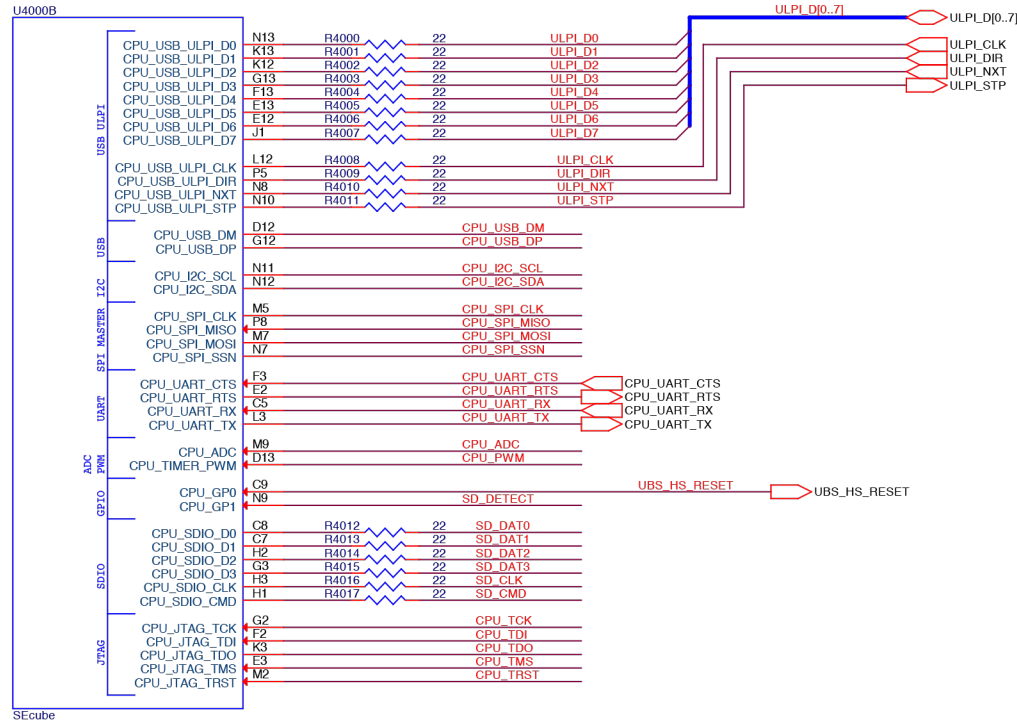
RESET BUTTON



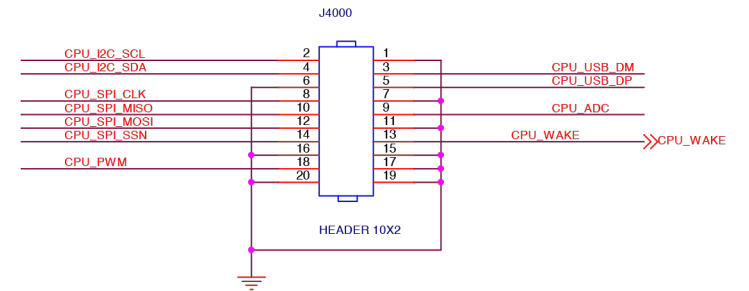
<Variant Name>			
Title			
USEcube			
Size	Document Number	Rev	
A3	USEcube 1.0	0.1	
Date:	Thursday, December 10, 2015	Sheet	4 of 8



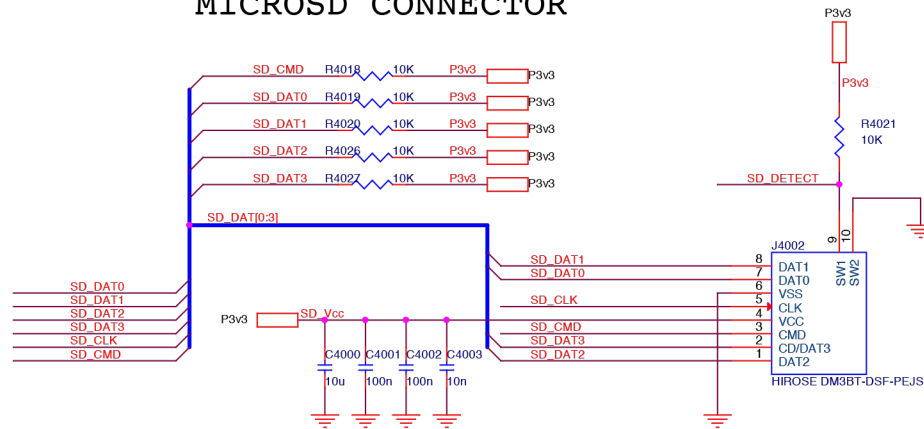
SEcube™ INTERFACES



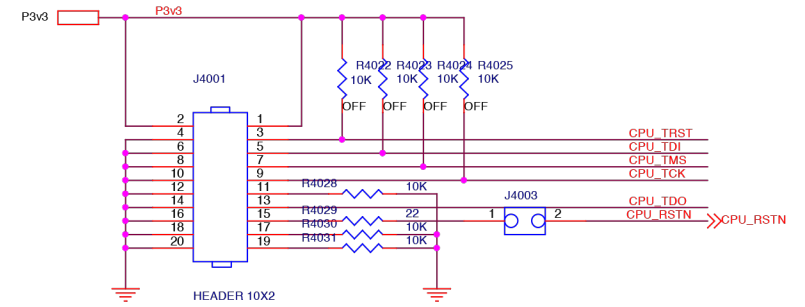
EXPANSION CONNECTOR



MICROSD CONNECTOR



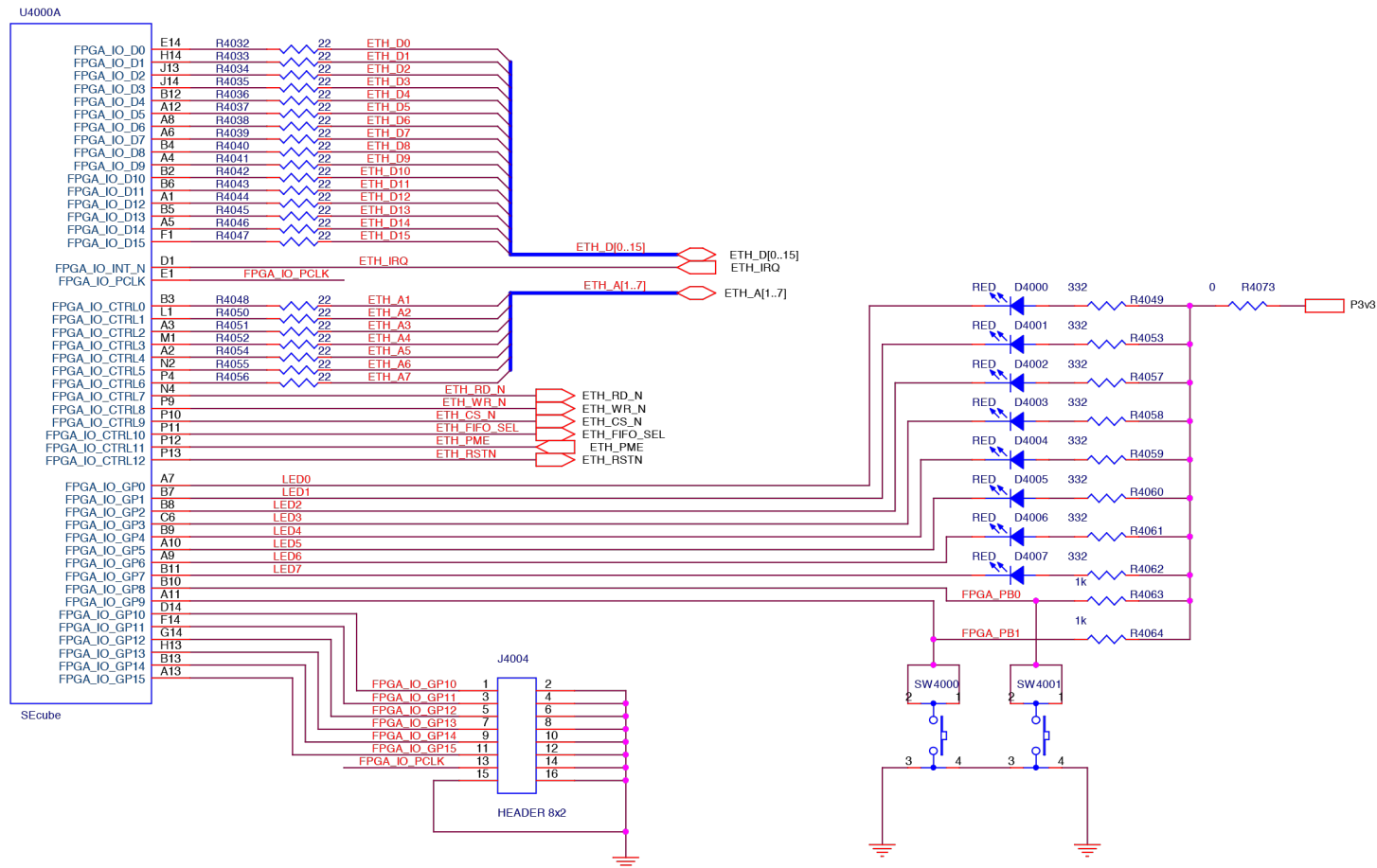
JTAG CONNECTOR



Title: SEcube_Development Board			
Size: A3	Document Number: SEcube_DevBoard 1.0	Rev: 0.1	
Date: Thursday, December 10, 2015	Sheet: 5	of 8	

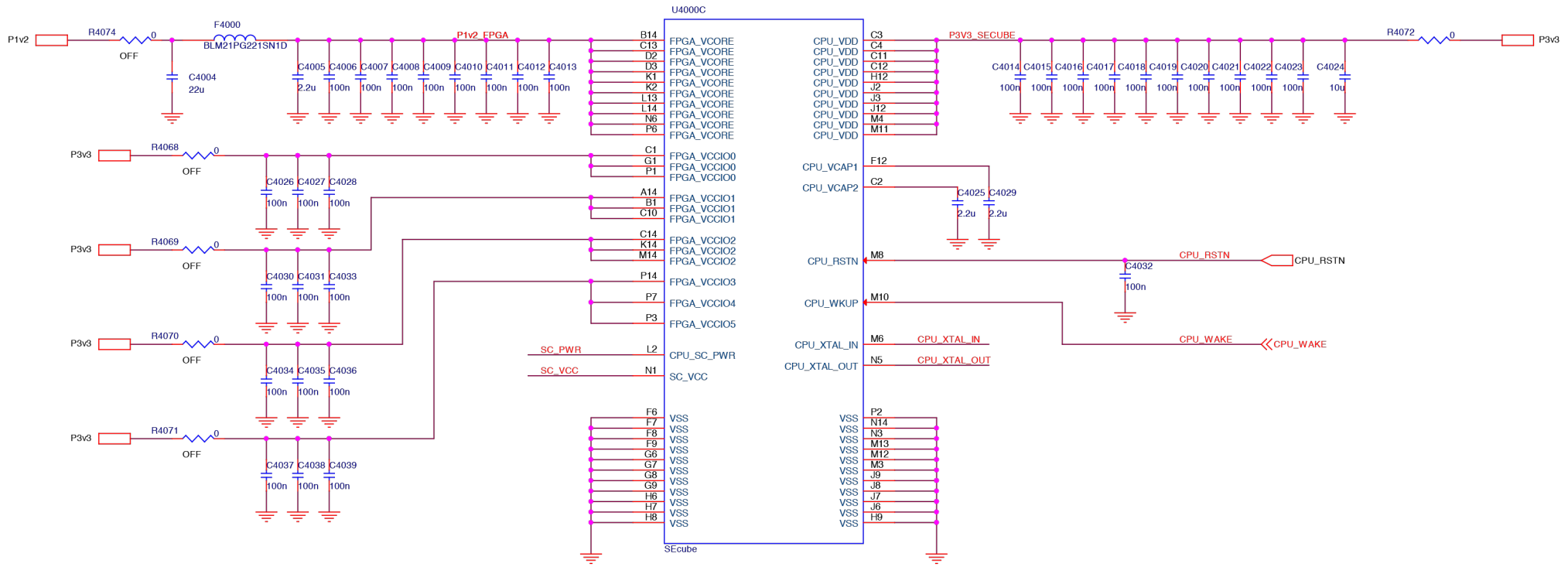


SEcube™ PARALLEL BUS

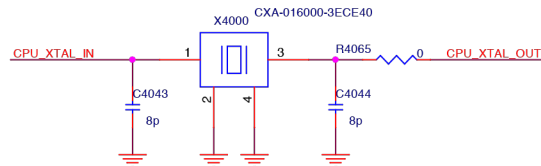
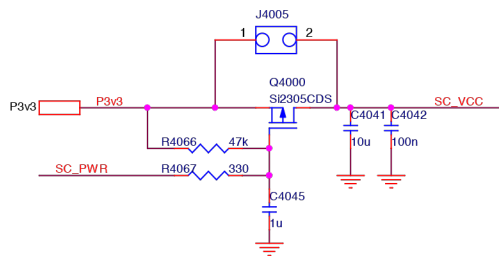




SEcube™ POWER SUPPLY & FILTERING



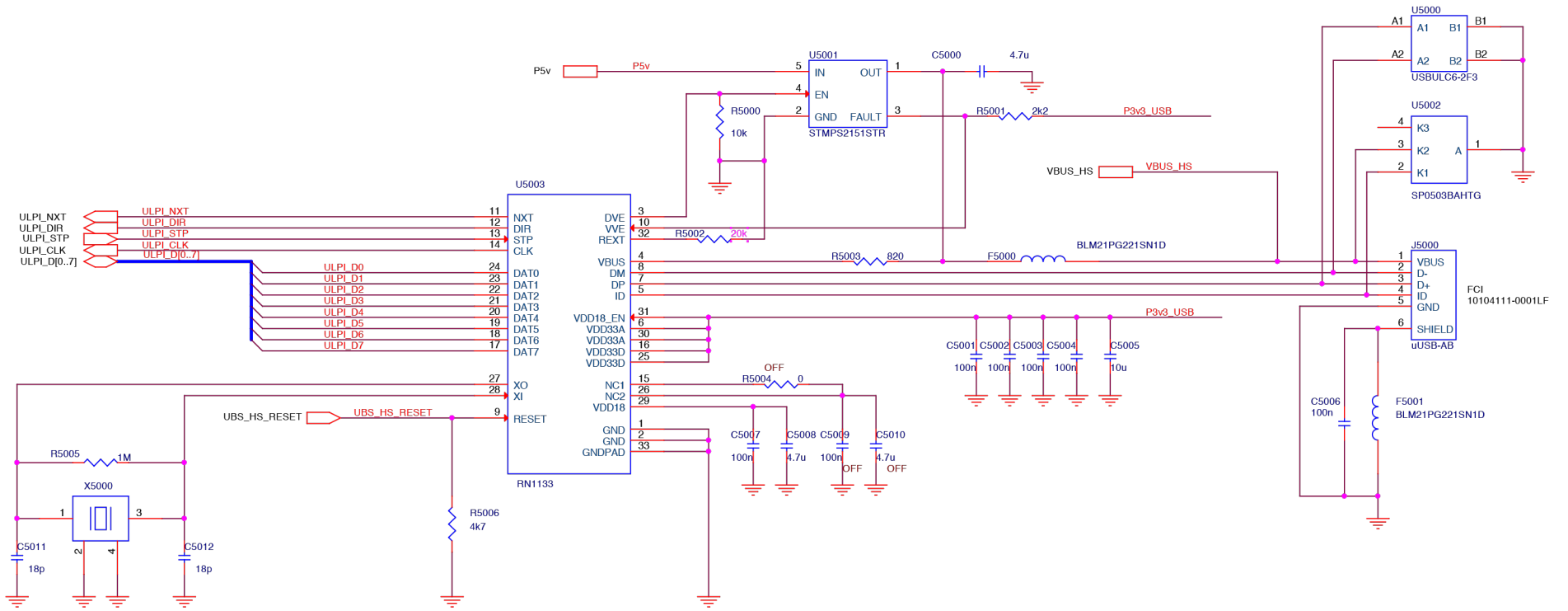
**TANK CAPACITOR
PLACE NEAR FPGA_VCCIO PINS**



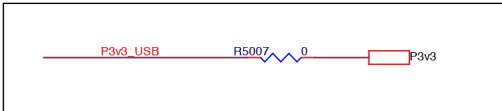
Title		
SEcube_Development Board		
Size	Document Number	Rev
A3	SEcube_DevBoard 1.0	0.1
Date:	Thursday, December 10, 2015	Sheet 7 of 8



USB OTG HS ULPI



CXA-024000-3ECE41



Title			SEcube_Development Board		
Size	Document Number			Rev	
A3	SEcube_DevBoard 1.0			0.1	
Date:	Wednesday, December 16, 2015	Sheet	8	of	8